

# PNEUMATIC PRESET COUNTER

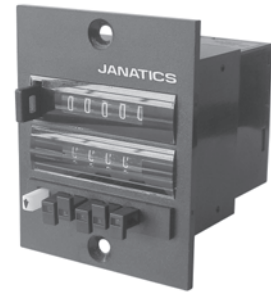
## Series GC

Cat No GC - 01 - 01 - A

### PNEUMATIC PRESET COUNTER

#### Features

- Continuously visible preset
- Integrated pneumatic reset
- 3 or 5 digit display
- Convenient button setting



#### Function

Counters have 5 digit display and count upwards i.e., incoming signals are added. When the counter is reset, 00000 appears. Pneumatic signal increments the counter by a half step and the first half of the digit appears. After completion of the signal, the second half step increment occurs and the digit becomes fully visible. The counter can be reset manually by means of a button. It can also be reset by means of pneumatic signal. A counting signal may not arrive or be present during the resetting procedure.

#### Technical Specifications

Ordering No	<b>GC1M0270</b>
Digit height	4 mm
Operating pressure	2 - 8 bar
Air quality	Oil free
Filter pore width	< 40 µm
Operating temperature	0 to +60° C
Port size	M5
Mounting	Front panel horizontal roller axis
Mounting position	Horizontal roller axis
Protection Class (IEC 144)	IP 40 with hoses connected
Count input	Adding
Minimum pulse length	8 ms
Max. Counting frequency	20 Hz
Pulse duty factor	1:1
Reset	- Manual with button - By external pneumatic signal, Min. pulse length 180 ms
Reset frequency	Max. 1 per 2s
Signal duration	From when the preset has been reached until reset

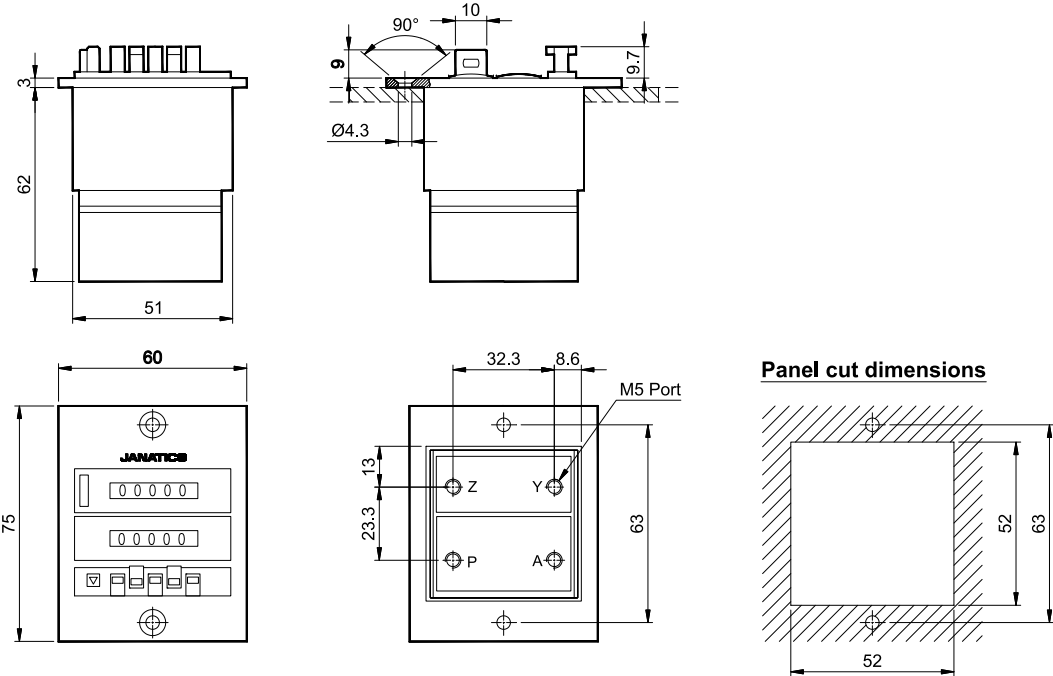
**Attention!** Minimum time period between last count pulse and pneumatic reset is 50 ms.

# PNEUMATIC PRESET COUNTER

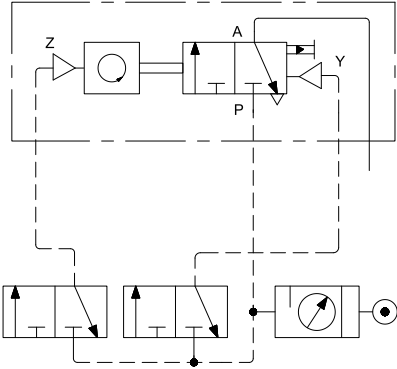
Series GC

Cat No GC - 01 - 01 - A

## Basic Dimensions

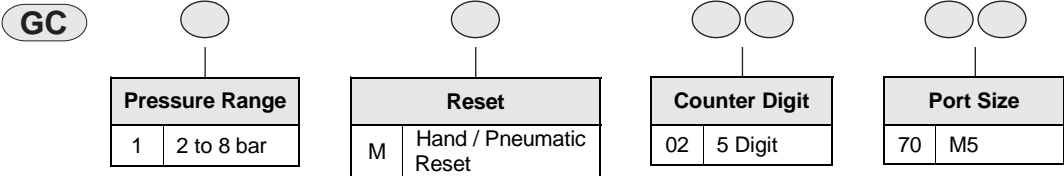


## Connection Diagram



- Z - Pulse input "count"
- Y - Pulse input "reset"
- P - Air input
- A - Output pilot signal

## How to order



## Ordering Example:

Ordering no. for Pneumatic Preset Counter : **GC1M0270**